

Name

Index No.....

School

Candidates Signature

Date:

441/2

HOME SCIENCE

Clothing Construction

Paper 2

Practical

July / August 2011

2 ½ Hours

MUTOMO / IKUTHA DISTRICTS K.C.S.E PACESETTER- 2011

Kenya Certificate of Secondary Education (K.C.S.E)

441/2

HOME SCIENCE

Clothing Construction

Paper 2

Practical

July / August 2011

2 ½ Hours

INSTRUCTIONS TO CANDIDATES

- a) This paper consists of **three**printed Pages.
- b) Candidates should check the question paper to ascertain that all the pages are printed as indicated and that no questions are missing.

This paper consists of 3 printed pages.

Candidates should check to ensure that all pages are printed as indicated and no questions are missing.

© 2011, Mutomo / Ikutha Districts Exam

Turn Over

A pattern of a pair of shorts is provided. You are advised to study the sketches; instructions and the layout carefully before you begin the test.

Materials provided

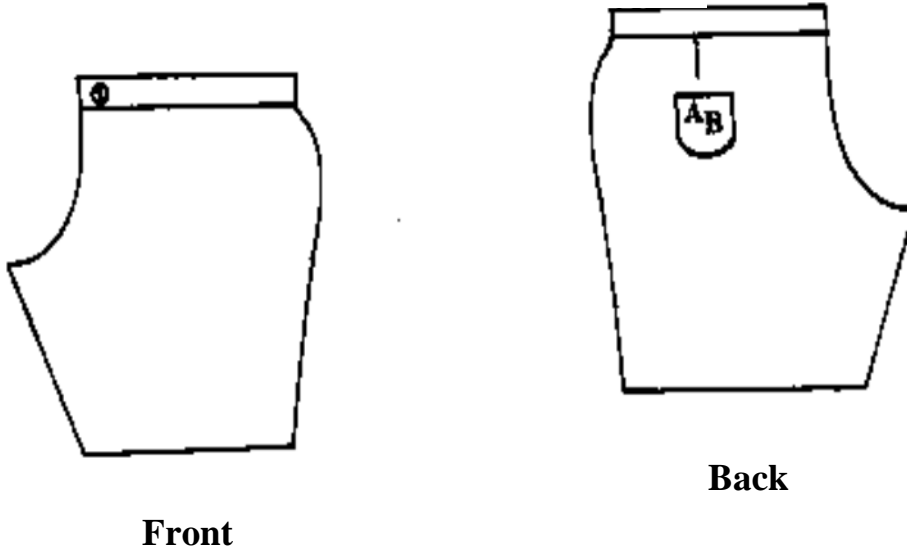
1. Pattern pieces
 - A. Short front
 - B. Short back
 - C. Pocket
 - D. Waist band
2. Plain light weight cotton fabric 50cm long by 90cm wide.
3. Cotton sewing thread to match the fabric.
4. Embroidery thread 125cm long.
5. One button 1.3cm with two holes.
6. One large envelope.

THE TEST

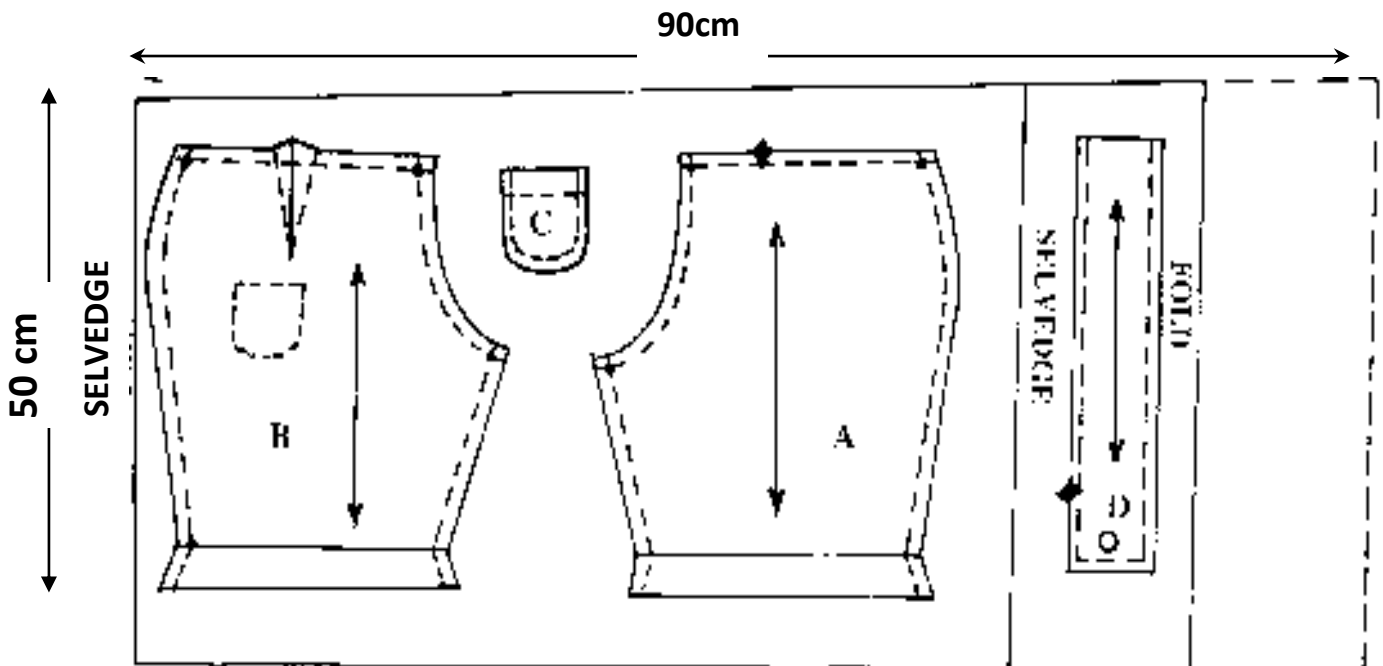
Using the materials provided, cut out and make the LEFT LEG of the shorts to show the following processes.

- a) Making back dart.
- b) Embroidering the letters on the pocket using stem stitches.
- c) Preparing and attaching patch pocket.
- d) Working of the side seam using an open seam.
- e) Working of the inner leg seam using French seam.
- f) Preparing and fixing waist band.
- g) Fixing button.
- h) Managing half of the seam using slip hemming (include both seams).

SHORT VIEW



LAYOUT (Not drawn to scale)



ANSWERS:

Order a copy of answers from www.schoolsnetkenya.com/order-e-copy

NB> We charge Kshs. 100 ONLY to meet website, e-resource compilation and provision costs