

Name.....Index No.....Class.....

443/2

AGRICULTURE

PAPER 2

March/April 2014.

2 Hours

MOKASA JOINT EXAMINATION 2014

AGRICULTURE

PAPER 2

2 HOURS

INSTRUCTIONS TO THE CANDIDATES

-Write your name, admission number in the space provided above

-This paper consist of three sections: A,B and C. Answer all questions in sections A and B.

-Answer any two questions from section C

-Answers to all questions must be written in the spaces provided in this booklet.

FOR EXAMINER'S USE ONLY

SECTION	QUESTION	MAXIMUM SCORE	CANDIDATES SCORE
A	1-18	30	
B	19-22	20	
C		20	
		20	
TOTAL		90	

SECTION A (30 Marks)

Answer all the questions in this section in the space provided.

1. State three effects of tsetse fly on cattle (1 ½ mark)

.....
.....
.....

2. State four signs of furrowing observed in pigs (2marks)

.....
.....
.....
.....

3. Give three factors that affect the quality of honey (1 ½ mark)

.....
.....
.....

4. Give three factors that may make birds to lay eggs on the floor in a deep litter. (1 ½ mark)

.....
.....
.....

5. Give three characteristics of clean and high quality milk. (1 ½ mark)

.....
.....
.....

6. Name four products of milk (2marks)

.....
.....
.....

7. State four signs of liver fluke infestation in cattle (2marks)

.....
.....
.....
.....

8. Give four reasons of breeding in cattle (2marks)

.....
.....
.....
.....

9. List four methods of preserving fish (2marks)

.....
.....
.....
.....

10. Give two reasons for culling a breeding boar (1mark)

.....
.....

11. List two factors a farmer should consider when grading eggs for marketing (1mark)

.....
.....

12. Give two reasons for flushing in sheep (1mark)

.....
.....

13. Give four reasons for treating timber used in construction of farm building (2marks)

.....
.....
.....
.....

14. State four factors that influence the daily water intake in an animal (2marks)

.....
.....
.....
.....

15. State two causes of egg eating in birds. (1mark)

.....
.....
.....
.....

16. Give four characteristics of a good calf pen. (2marks)

.....
.....
.....
.....

17. State four factors that influence the choice of the poultry system of rearing to use. (2marks)

.....
.....
.....
.....

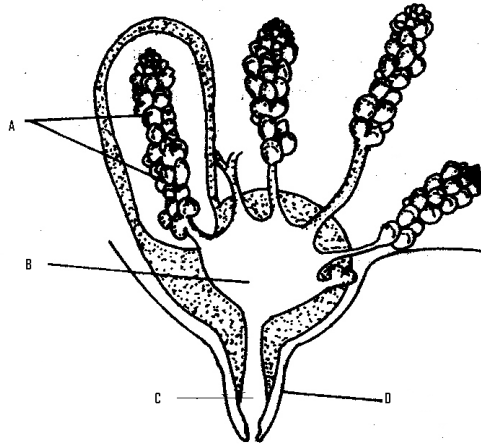
18. Give four methods of administering vaccines in poultry. (2marks)

.....
.....
.....
.....

SECTION B (20 Marks)

Answer all questions in this section in the space provided.

19. The diagram below is a cross section of part of a cow's udder.



(a) Label the parts marked A,B,C and D (2marks)

- A.....
- B.....
- C.....
- D.....

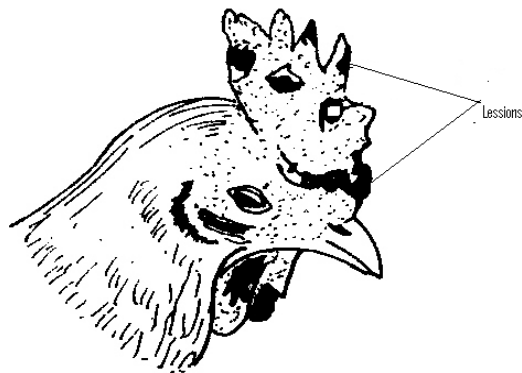
(b) Name two hormones that control milk - let down in a dairy cow. (2marks)

.....
.....

(c) What is a dry cow therapy? (1mark)

.....

20. The diagram below shows the head of a chicken having symptoms of a poultry disease.



(a) Identify the disease. (1mark)

.....
.....

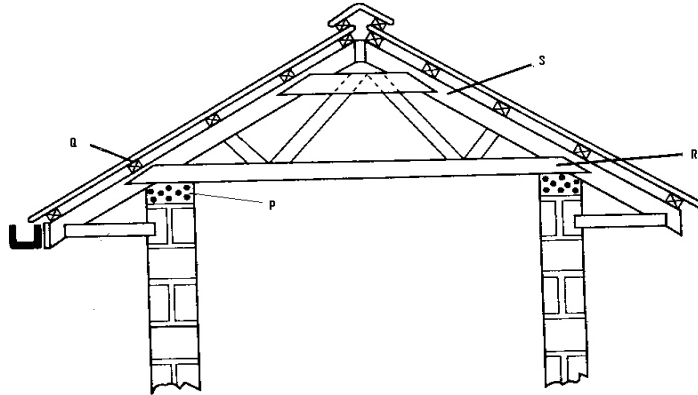
(b) Give two reasons why the disease is of economic importance. (2marks)

.....
.....
.....

(c) Outline two methods of controlling the above disease. (2marks)

.....
.....
.....

21. The following diagram shows parts of a roof. Study it carefully and answer the questions that follow.



(a) Name the parts labeled **P, Q, R** and **S** (2marks)

P.....

Q.....

R.....

S.....

(b) State the functions of **P** and **Q** (2marks)

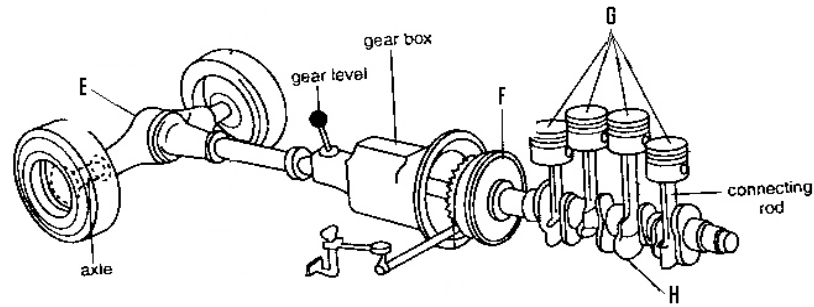
P.....

Q.....

(c) Give one chemical preservative for treating timber before use in the construction of farm structures. (2marks)

.....

22. Below is a diagram of power transmission system of a tractor engine. Study it and answer the questions that follow.



(a) Name the parts labeled E,F,G and H (2marks)

E.....

F.....

G.....

H.....

(b) State the functions of E and H. (2marks)

E.....

H.....

SECTION C (40 Marks)

Answer any two questions in this section in the spaces provided after each question.

23. (a) Describe five pre-disposing factor of livestock diseases. (5marks)

.....

.....

.....

.....

.....

.....

.....

.....

.....

.....

.....

.....

.....

.....

.....

.....

.....

.....

.....

.....

.....

.....

.....

(c) Describe six mechanical methods of controlling ticks (6marks)

.....

.....

.....

.....

.....

.....

.....

.....

.....

.....

.....

.....

.....

.....

.....

.....

.....

.....

.....

.....

.....

.....

.....

ANSWERS:

Order a copy of answers from www.schoolsnetkenya.com/order-e-copy

NB> We charge Kshs. 100 ONLY to meet website, e-resource compilation and provision costs