

NAME:.....

INDEX NO:.....

SCHOOL:.....

CANDIDATES SIGNATURE:.....

DATE:.....

443/2

AGRICULTURE

PAPER 2

JULY/AUGUST-2014.

TIME: 2 HOURS

KISII SOUTH SUB COUNTY JOINT EVALUATION EXAM - 2014

Kenya Certificate of Secondary Education (K.C.S.E).

443/2

AGRICULTURE

PAPER 2

JULY/AUGUST-2014.

TIME: 2 HOURS

INSTRUCTIONS TO CANDIDATES:

- (a) Write your name and index number in the spaces provided at the top of this page
- (b) Sign and write the date of examination in the spaces provided above.
- (c) This paper consists of *three* sections: **A, B and C**
- (d) Answer **ALL** the questions in *section A* and **B**
- (e) Answer any **two** questions from section C
- (f) All answers should be written in the spaces provided on this question paper.

FOR EXAMINER'S USE ONLY

SECTION	QUESTION	MAX. SCORE	CANDIDATE'S SCORE
A	1-18	30	
B	19-23	20	
C	24	20	
	25	20	
	26	20	
TOTAL		90	

*This paper consists of 12 printed pages.
Candidates must check to ascertain that all pages are printed as indicated
and that no question(s) is/are missing.*

SECTION A (30 MARKS)

Answer all questions in the spaces provided

1. List four routes through which pathogens can enter the body of a newly – born calf. (2mk)

.....

.....

.....

.....

2. List four duties of a worker bee in a colony. (2mks)

.....

.....

.....

.....

3. Identify the following breeds of livestock (2mks)

(i) A pig breed with dashed face, erect ears and white in colour

.....

.....

(ii) A beef breed cream white in colour usually very heavy its males weighing upto 200kg.

.....

.....

(iii) A white breed of goat usually with long hair.

.....

.....

(iv) A wool sheep with long curl wool usually cover its face

.....

.....

4. Outline four signs of heat in sows. (2mks)

.....

.....

.....

.....

5. Name two tools used to trim hooves. (1mk)

.....

.....

.....
.....

6. List three precautions taken when seasoning timber by air for construction. (1½ mks)

.....
.....
.....

7. Give two reasons for raddling in sheep management. (1½ mks)

.....
.....
.....

8. Name three methods that are used in selecting of breeding stock in livestock production. (1½ mks)

.....
.....
.....

9. Outline four factors that influence the stocking rate in a fish pond. (2mks)

.....
.....
.....

10. Outline four factors that influence the stocking rate in a fish pond. (2mks)

.....
.....
.....

11. State four factors that would contribute to the depreciation of a farm equipment. (2mks)

.....
.....
.....

13. State two desirable qualities of a livestock ration. (1mk)

.....
.....
.....

14. Name four livestock diseases caused by Mruses. (2mks)

.....
.....
.....

15. (a) Differentiate between a roughage and a concentrate feed in animal nutrition. (1mk)

.....
.....

(b) State two analities of a creep feed that makes it suitable for piglets. (1mk)

.....
.....

16. Outline four daily maintenance services carried out on a tractor. (2mks)

.....
.....
.....

17. State two preventive measures for bloat. (1mk)

.....
.....

18. State four livestock management practices carried out in a crush. (2mks)

.....
.....
.....

SECTION B (20 mks)

Answer ALL the questions in this section in the spaces provided.

19. The diagram below illustrates a livestock deficiency disease. Study the diagram and answer the questions that follow:-



(a) Identify the disease (½ mk)

.....

.....

(b) Identify the deficient nutrient. (½ mk)

.....

.....

(c) Apart from the head refraction, state two other symptoms of the deficiency disease in (a) above. (2mks)

.....

.....

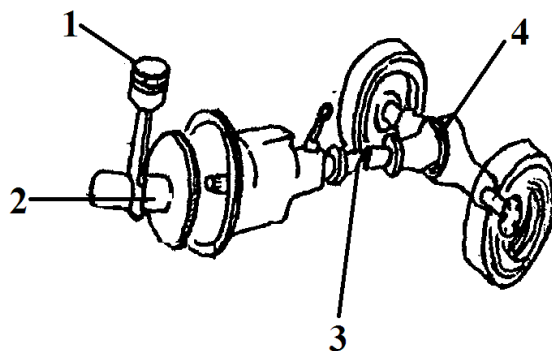
.....

(d) State one role of the nutrient named in (b) above. (1mk)

.....

.....

20. Study the diagram below that shows the power transmission system in a tractor engine.



(i) Label the parts 1 – 4 . (2mks)

1.....

2.....

3.....

4.....

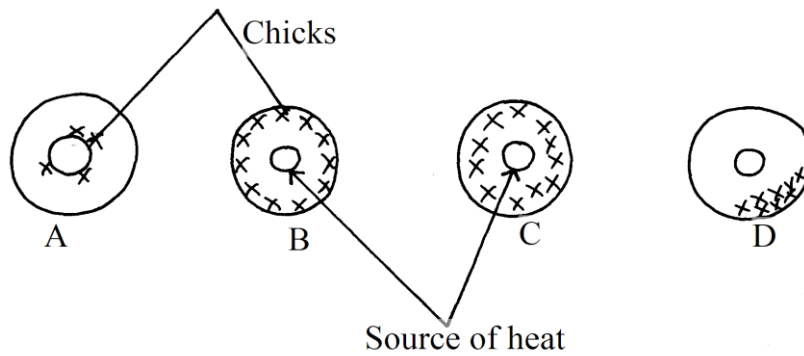
(ii) What technical term is used to refer to attaching an implement to a tractor. (1mk)

.....

(iii) Name two types of linkage on a tractor. (1mk)

.....

21. The following illustrations show the behavior of chicks at different temperatures in a brooder.



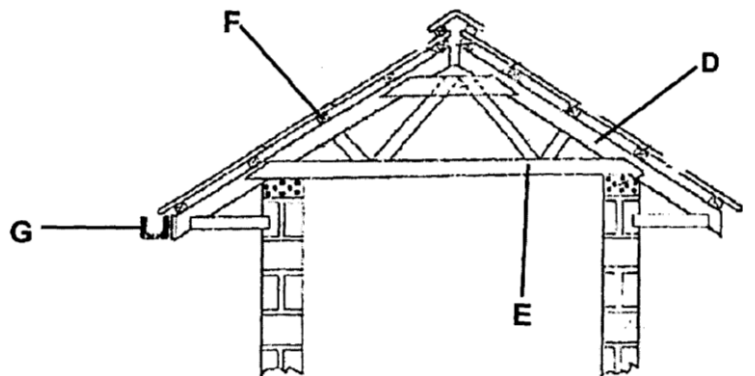
(a) Explain the temperature conditions in each of the four diagrams A, B, C and D. (2mks)

A.....
B.....
C.....
D.....

(b) State any four requirements of a good brooder. (2mks)

.....

22. Study the illustration below and answer the questions that follow.



(a) Identify the parts D, E, F and G

D.....

E.....

F.....

G.....

(b) State two uses of the part F.

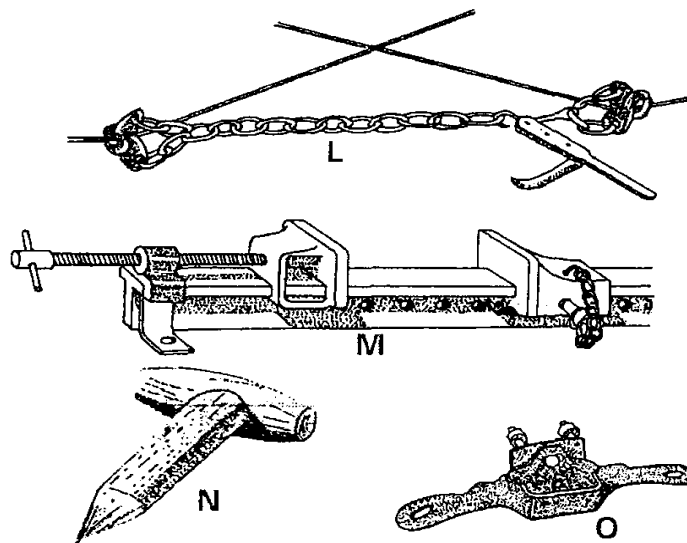
(1mk)

.....

.....

.....

23. L, M, N and O are diagrams of farm tools. Study them and answer the questions that follow.



(i) Identify the farm tools L, M, N and O

(2mks)

L.....

M.....

N.....

O.....

(ii) State the use of each of the tools L, M, N and O.

(2mks)

L.....

M.....

N.....

O.....

SECTION C (40 Marks)

Answer any two questions in this section in the spaces provided after each question.

24. (a) Explain the importance of keeping livestock healthy.

(7mks)

(b) Give five effects of internal parasites in livestock.

(5mks)

ANSWERS:

Order a copy of answers from www.schoolsnetkenya.com/order-e-copy

NB> We charge Kshs. 100 ONLY to meet website, e-resource compilation and provision costs