

Name \_\_\_\_\_ Index No. \_\_\_\_\_

signature \_\_\_\_\_

Candidate's

Date

443/2  
AGRICULTURE  
PAPER 2  
JULY/AUGUST 2014  
2 HOURS

**KILUNGU DISTRICT FORM IV EXAMINATION 2014**  
Kenya Certificate of Secondary Education  
AGRICULTURE  
PAPER 2  
2 HOURS

**INSTRUCTIONS TO CANDIDATES**

- This paper consists of three sections A, B and C
- Answer **ALL** questions in section A and B and **any** two questions in section C

**For examiner's use only**

Section	Questions	Maximum score	Candidates score
A	1 – 19	30	
B	20 – 23	20	
C	24	20	
	25	20	
	26	20	
Total score			

*This paper consists of 12 printed pages*

*Turn Over*

**SECTION A (30 MARKS)**

*Answer all questions in this section*

1. (a) Name a breed of sheep with a lambing percentage of above 125% and whose fleece may be

inferior due to black fibres

(1mk)

---

---

---

---

---

(b) Name a breed of goat which is reared for the production of mohair

(1mk)

---

---

---

---

---

2. Differentiate between the following

(2mks)

(a) Bastard file and rasp file

---

---

---

---

---

(b) Coping saw and flock saw

---

---

---

---

---

---

3. List down two tools/equipment used during the handling of cattle during Agricultural exhibition  
(1mk)

---

---

---

---

---

---

4. State four methods of maintaining good health in livestock  
(2mks)

---

---

---

---

---

---

---

---

5. (a) State four signs of external parasite infestation  
(2mks)

---

---

---

---

(b) State four non-chemical methods of controlling ticks  
(2mks)

---

---

---

---

---

---

---

---

---

---

6. State four characteristics of livestock roughage feedstuff  
(2mks)

---

---

---

---

---

---

---

---

---

---

7. Give four functions of proteins in an animals body  
(2mks)

---

---

---

---

---

---

---

---

---

---

8. Give four advantages of using corrugated iron sheets instead of asbestos for roofing  
(2mks)

---

---

---

---

---

---

---

---

---

---

9. Give two reasons for spreading a polythene paper in the slab of a farm building  
(1mk)

---

---

---

---

---

---

10. Give two reasons for washing a cows udder with warm water before milking (2mks)

---

---

---

---

---

---

---

---

---

---

11. What is the name given to each of the following (2mks)

(a) Castrated cock

---

---

---

---

---

(b) Feeding of livestock a few weeks before parturition

---

---

---

---

12. State four predisposing factors of mastitis disease (2mks)



---

---

---

---

---

---

---

---

---

---

16. Name four structural features in a fish pond  
(2mks)

---

---

---

---

---

---

---

---

---

---

**KILUNGU DISTRICT FORM 4 JOINT EXAM 2014 AGRICULTURE P.2** 4

17. Suggest three reasons why ewes may abandon their lambs  
(1 ½ mks)

---

---

---

---

---

---

---

---

18. Name the breed of rabbit with white body and red eyes  
(1mk)

---

---

---

---

---

19. State any four causes of stress in a flock of birds  
(2mks)

---

---

---

---

---

---

---

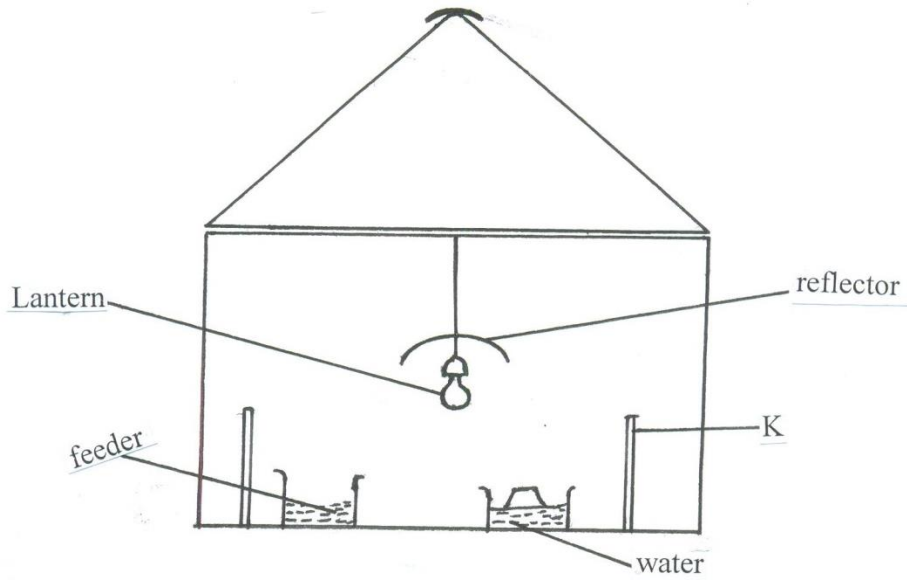
---

---

---

**SECTION B (20 MARKS)**

20. The diagram below shows a house for rearing chicks. Study it and answer questions that follow



(a) Identify the type of house illustrated above  
( ½ mk)

---



---



---

(b) What is the purpose of the part labeled K  
( ½ mk)

---



---



---

(c) State three observation that would be made on the behaviour of chick when the temperature in the house is too high  
(3mks)

---

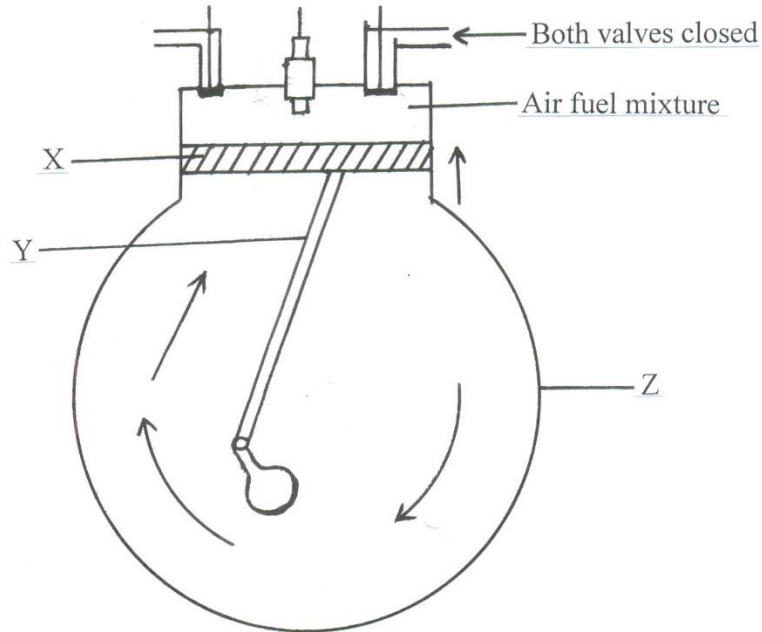


---



---

- 
- 
- 
21. Below is a diagram showing one of the strokes in a tractor's engine. Use it to answer the questions that follow.



- (a) Identify the cycle/stroke  
( ½ mk)

---

---

---

- (b) Name the parts labeled X, Y and Z  
( 1 ½ mks)

---

---

---

(c) Briefly explain the cycle/stroke in (a) above  
(3mks)

---

---

---

---

---

---

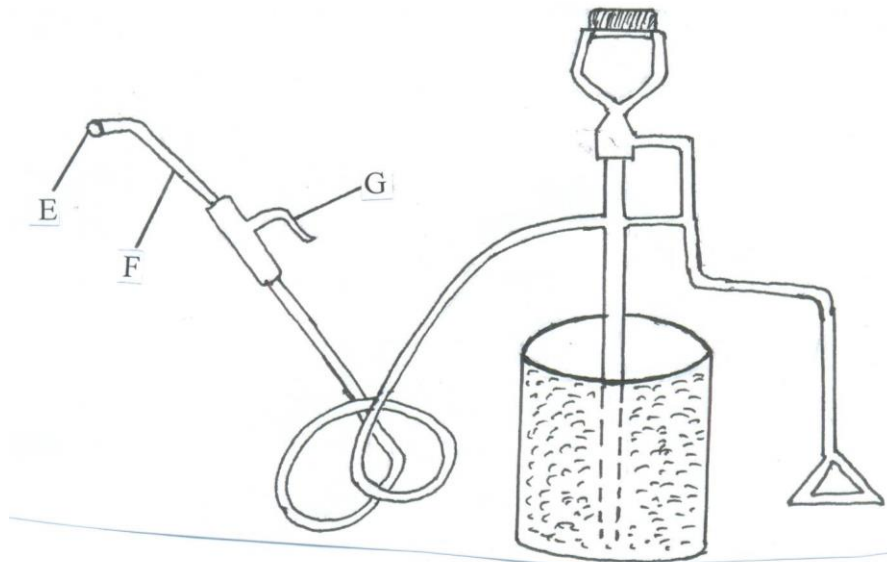
---

---

---

---

22. Below is a diagram of farm equipment. Use it to answer the questions that follow



(a) Identify the equipment  
( 1/2 mk)

---

---

---

(b) State the use of the equipment  
(1mk)

---

---

---

(c) Name the parts labeled E, F and G  
(1 ½ mks)

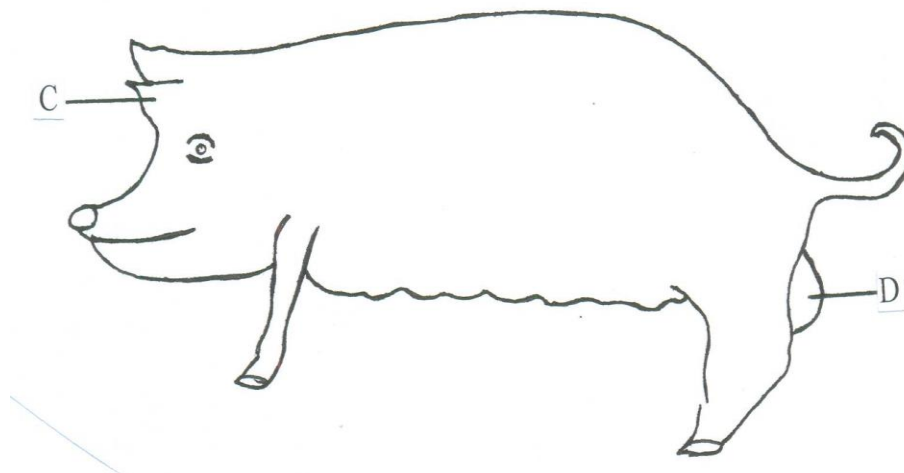
E \_\_\_\_\_

F \_\_\_\_\_

G \_\_\_\_\_

(d) Identify two limitations of using this equipment compared to others that may be used for the same purpose  
(2mks)

23. Study the diagram below and answer the questions that follow.



(a) Name the operation usually carried out on part C  
( ½ mk)

---

---

---

(b) Why is the activity in (a) above necessary ( ½ mk)

---

---

---

(c) Give two ways of carrying out the operation named in (a)  
(2mks)

---

---

---

---

---

(d) Name the routine carried out on part D  
(1mk)

---

---

---

---

---

(e) Name the appropriate method used in carrying out the practice carried out on part D  
(1mk)

---

---

---

---

---

**SECTION C (40 MARKS)**

*Answer any two questions from this section in the spaces provided*

24. (a) Describe any ten factors a farmer would consider when selecting a young female pig (gilt) for breeding  
(5mks)  
(b) Describe the management practices a farmer should carry out in rearing of gilt from time it's weaned upto the time it farrows  
(15mks)
25. (a) Give ten differences between petrol and diesel engine  
(10mks)  
(b) Outline five advantages of farm mechanization  
(5mks)  
(c) Explain any five factors considered in selection of construction materials  
(5mks)
26. Discuss East Coast Fever under the following sub-headings

- (a) (i) Casual organism  
(1mk)
- (ii) Transmission or spread method  
(1mk)
- (iii) Livestock species attacked  
(1mk)
- (iv) Symptoms of attack  
(1mk)
- (v) Control measures  
(1mk)
- (b) Outline the differences between deep litter and battery cage systems of poultry rearing  
(10mks)
- (c) Discuss five factors that affect the composition of milk  
(5mks)

**ANSWERS:**

Order a copy of answers from [www.schoolsnetkenya.com/order-e-copy](http://www.schoolsnetkenya.com/order-e-copy)

NB> We charge Kshs. 100 ONLY to meet website, e-resource compilation and provision costs