

FORM TWO TERM ONE EXAMS 2017

GEOGRAPHY

TIME: 2 HOURS

SCHOOLS NET KENYA

Osiligi House, Opposite KCB, Ground Floor

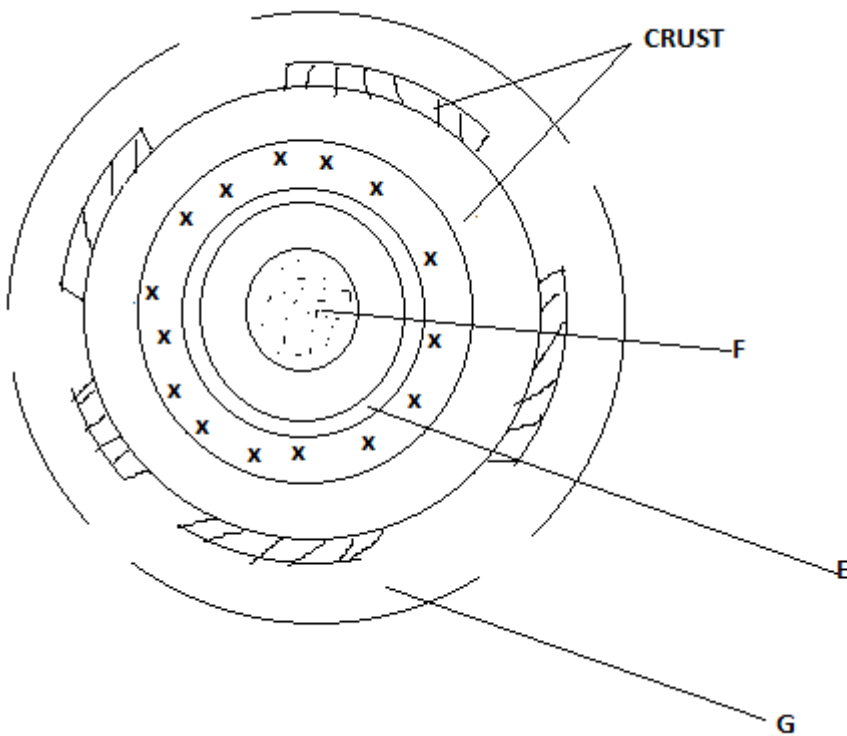
Off Magadi Road, Ongata Rongai | Tel: 0711 88 22 27

E-mail: infosnkenya@gmail.com | Website: www.schoolsnetkenya.com

QUESTIONS

- 1 (a) What is an eclipse? (2mks)
- (b) State the characteristics of the earth's core (4mks)

2. The diagram below shows the structure of the earth. Use it to answer question(a)



- (a) Name the parts marked E,F and G (3mks)
- (b) State four characteristics of the part labeled G. (4mks)
3. (a) Identify three forms of rock metamorphism. (3mks)
- (b) State the extrusive equivalent of earth of the following intrusive igneous rocks (3mks)
- (i) Granite
 - (ii) Diorite
 - (iii) Gabbro
- 4 (a) What is a seismic wave? (2mks)
- (b) State 4 ways in which earthquake affects human activities (4mks)
- 5 (a) Differentiate between fissure and vent eruption (2mks)

- (b) Describe how the following features are formed
- (i) Batholiths (6mks)
 - (ii) Volcanic plug (5mks)
- (c) Explain 4 negative effects of Volcanicity on human activities (8mks)
- (d) You are planning to carry out a field study on features formed by volcanicity on the landscape
- (i) Formulate two null hypotheses (2mks)
 - (ii) Name two drainage features you are likely to study (2mks)
- 6 (a) State four ways in which minerals occur (4mks)
- (b)(i) Other than shaft method name two other underground methods of mining (2mks)
- (ii) Kenya recently discovered petroleum in Ngamia II Turkana. State five positive effects that Kenya is likely to benefit from (5mks)
- (c) Explain four ways in which Kenya has benefited from the mining of soda ash from Lake Magadi (8mks)
- (d) State six adverse effects of gold mining to the environment of South Africa (6mks)