

Name: Index No:

Candidate's signature.....

Date.....

**KAKAMEGA NORTH SUBCOUNTY JOINT EXAMINATIONS
KCSE TRIAL 2018**

*443/2
AGRICULTURE
PAPER 2
JULY 2018
2 Hours*

INSTRUCTIONS TO CANDIDATES

Write your name and index in the spaces provided.

This paper consists of **THREE** sections **A, B** and **C**.

Answer all the questions in sections **A** and **B** and **ANY TWO** questions in sections **C**.

Answers should be written in the spaces provided.

For Examiner's Use Only

Section	Question	Maximum Score	Candidates Score
A	1 – 18	30	
B	19 - 22	20	
C	23 - 25	20	
		20	
Total Score		90	

This paper consists of 10 printed Pages

*Candidates should check the question paper, to ensure that all the pages are printed as indicated;
and no questions are missing*

Answer *ALL* questions from **SECTION A (30 Marks)**

1. State *four* factors that influence the quality of honey (2mks) .

.....
.....
.....
.....

2. List *four* implements used to carry our secondary cultivation. (2mks)

.....
.....
.....
.....

3. Name *two* causes of infertility in dairy cows. (1mk)

.....
.....

4. State *two* reasons why farm tools should be maintained properly. (2mks)

.....
.....

5. State *two* factors that are considered when selecting materials for constructing a dairy shed. (1mk)

.....
.....

6. Name *four* sources of power in the farm besides electricity and tractor. (2mks)

.....
.....
.....
.....

7. Give **two** observations made on behavior of chicks if there is too high temperature in the brooder. (2mks)

.....
.....

8. State **three** advantages of artificial calf rearing. (1½mks)

.....
.....
.....

9. State the **three** abnormalities that can be detected by eggs candling techniques. (1½mks)

.....
.....
.....

10. State **two** signs that would show that a cow has died of anthrax. (1mk)

.....
.....

11. Give **three** ways of stimulating milk let down in a dairy cow. (1½mks)

.....
.....
.....

12. Give **four** conditions that reduce the quality of eggs for hatching. (2mks)

.....
.....
.....
.....

13. Give **four** reasons why it is necessary to place sugar syrup close to a bee-hive. (1½mks)

.....
.....
.....
.....

14. Give **four** symptoms that would show that an animal is suffering from rinderpest and not foot and mouth disease. (2mks)

.....
.....
.....
.....

15. Give **four** reasons why piglets should be weighed immediately after farrowing and weaning. (2mks)

.....
.....
.....
.....

16. Name **two** hormones that control milk let-down. (1mk)

.....
.....

17. Explain the meaning of the following terms as used in livestock production.

a) Ringing..... (1mk)

b) Raddling..... (1mk)

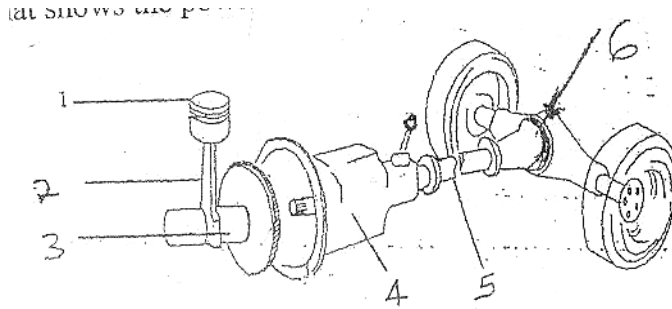
18. Give **two** instances when a farmer should treat animals against worms. (1mk)

.....
.....

SECTION B 20MKS

Answer all the questions in this section in the spaces provided

19. Study the diagram below that shows the power transmission mechanism of a tractor engine.



(i) Label parts labeled **1 – 6**. (3mks)

- 1..... 2.....
- 3..... 4.....
- 5..... 6.....

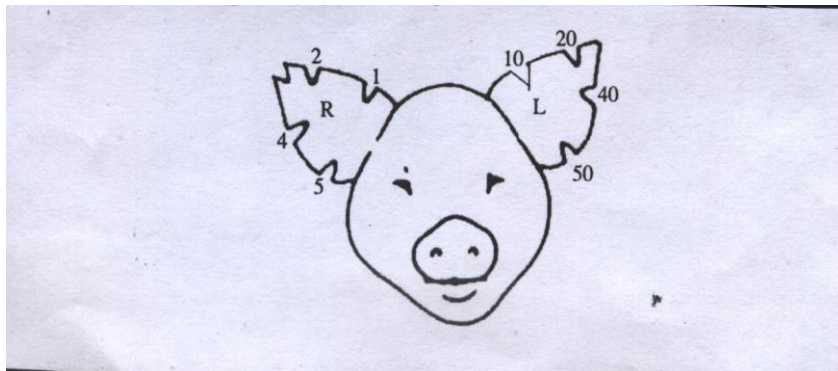
(ii) What technical term refers to attaching an implement to a tractor? (1mk)

.....

(iii) Name **two** types of linkage on tractor. (1mk)

.....
.....

20. The diagram below shows a certain practice carried out in pigs.



a) Identify the practice illustrated (1mk)

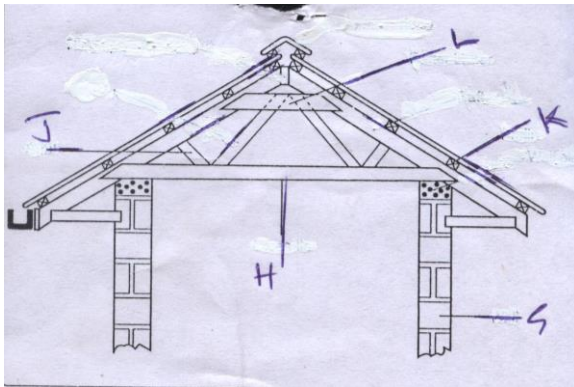
.....

b) Draw another illustration depicting piglet no.37^ (2mks)

c) State **two** other methods of identification in piglets. (2mks)

.....
.....

21. The diagram below represents parts of a roof. Study the diagram and answer questions that follow.



a) Name the parts labelled **G, H, J** and **K**. (2mks)

G.....

H.....

J.....

K.....

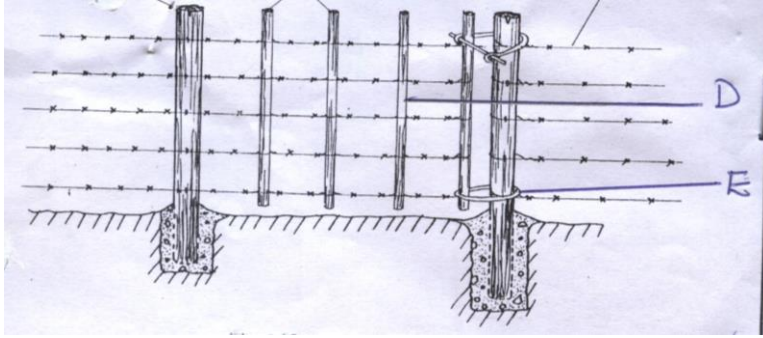
b) State **two** functions of the roof illustrated above. (1mk)

.....
.....

c) Give the collective term for the parts labelled **H, J** and **L**. (1mk)

.....

22. The diagram below shows a type of farm gate. Study the diagram and answer the questions that follow.



a) Identify the type of gate shown. (1mk)

.....

b) Name parts labelled *D* and *E*. (1mk)

D.....

E.....

c) i State *one* function of the part labeled *E*. (1mk)

.....

ii) State *two* functions of the gate illustrated above. (1mk)

.....

.....

23. The diagram below illustrates a calf rearing practice.



a) Identify the practice illustrated above. (½mk)

.....

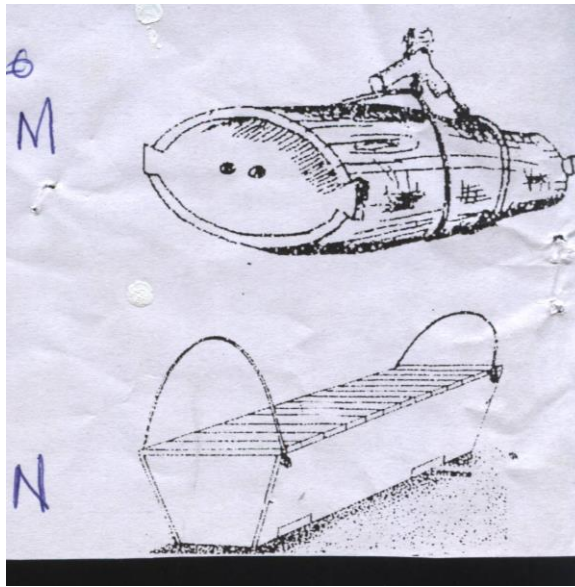
b) i) Describe the procedure followed in the feeding practice named in (a) above. (2½mks)

.....
.....

ii) Give **two** precautions taken while using the rearing practice stated in (a) above. (1mk)

.....
.....

24. The diagram below shows types of beehives. Use it to answer the questions that follow.



a) Give the identity of each hive. (1mk)

M.....
N.....

b) State **two** advantages of hive **N** over **M** (2mks)

.....
.....

c) Give **two** methods of stocking hive **N** (1mk)

.....
.....

