
**KENYA NATIONAL EXAMINATION COUNCIL
REVISION MOCK EXAMS 2016
TOP NATIONAL SCHOOLS**

MANG’U HIGH SCHOOL

443/2

AGRICULTURE

PAPER 2

TIME: 2 HOURS

SCHOOLS NET KENYA

Osiligi House, Opposite KCB, Ground Floor

Off Magadi Road, Ongata Rongai | Tel: 0711 88 22 27

E-mail: infosnkenya@gmail.com | Website: www.schoolsnetkenya.com

Paper 2

SECTION A: (30MARKS)

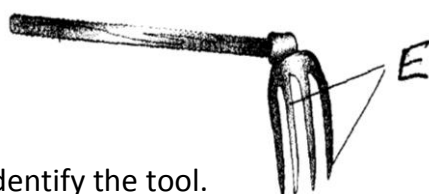
Answer ALL the questions in the section in the spaces provided.

1. Give the functional difference between a rip saw and a tenon saw. (1mks)
2. List **four** disadvantages of using a hedge as a fence. (2mks)
3. Give **five** physical characteristics of a large white breed of pig. (2 ½mks)
4. State **three** factors that dictate livestock distribution in Kenya. (1 ½mks)
5. State the six methods a farmer can use to control livestock diseases. (3mks)
6. Describe signs of good health under the following:-
 - i) Movement (½mk)
 - ii) Urine (½mk)
 - iii) Posture (½mk)
7. State the factors that determine the nutritional requirements of an animal. (2mks)
8. Give the function of each of the following parts of a female reproductive organ in poultry.
 - i) Isthmus (½mk)
 - ii) Infundibulum (½mk)
 - iii) Magnum (½mk)
 - iv) Uterus (½mk)
9. Give reasons for breeding in livestock. (2mks)
10. Outline the importance of creep feeding in piglets. (2mks)
11. Differentiate between the term **incubation period** and **mortality rate** as used in livestock health. (1mk)
12. a) Name **one** vector that transmits each of the following diseases.
 - i) Anaplasmosis (½mk)
 - ii) East Coast Fever (½mk)
 - iii) Trypanosomiasis (½mk)b) Name a protozoan disease that is not vector transmitted (½mk)
13. Outline any **four** factors that may necessitate culling in a flock of laying birds. (2mks)
14. Give the importance of feeding colostrums to calves. (2mks)
15. List the main source of electrical power (2mks)
16. Name the types of natural immunity. (1mk)
17. Define the hitching as used in farm machinery. (1mk)
18. Name the part of the tractor where trailed implements are attached. (½mk)

SECTION B (20MKS)

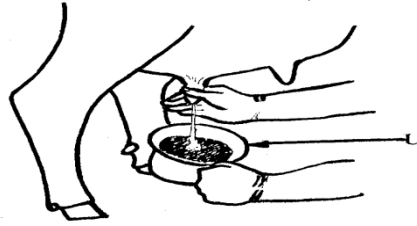
Answer ALL questions in this section in the spaces provided.

19. Below is a diagram of a farm tool.



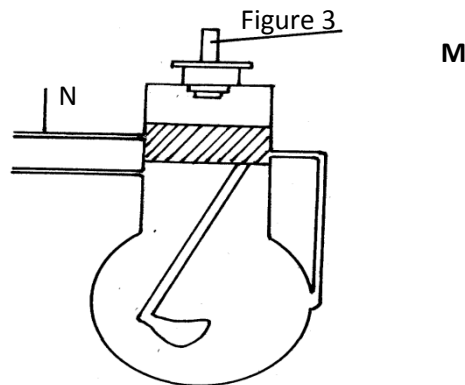
- a) i) Identify the tool. (½mk)
- ii) Name the part of the tool labeled E. (½mk)
- b) State **one** appropriate use of the tool. (1mk)

- c) Below is an illustration of an activity carried out to detect an infection of the udder before the actual milking is done.



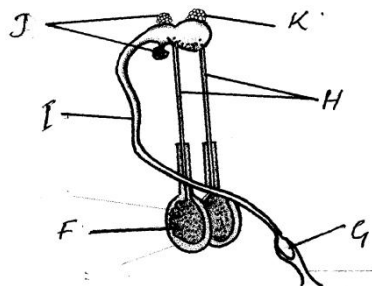
- i) Name the equipment in the illustration labeled **U**. (½mk)
 ii) State **two** changes that can be observed in milk, using the equipment, if the udder is injected. (1mk)

20. Below is an illustration of a stroke in a two stroke cycle engine **Fig3**. Study it and answer the question that follow.



- a) i) Identify the part labeled **N**. (½mk)
 ii) Give the function of the part labeled **M**. (½mk)
 b) Identify the stroke in figure 3 above. (1mk)
 c) Describe the process taking place in the stroke named in b above. (2mks)

21. The illustration below shows a male reproductive system in cattle. Study it and answer the questions that follow.

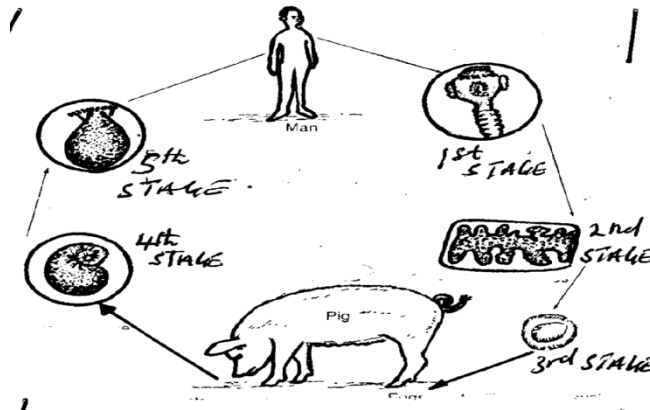


- a) Identify the parts labeled **I, J, K** and **G**. (2mks)
 b) Give **one** function for each of the parts labeled **F** and **H**. (2mks)
 22. Diagrams **N1** and **N2** below show the fingers fitted between pelvic bones as a practice used in examining layers during culling



- a) i) Which layer would be culled (1mk)
 ii) Give **two** other characteristics that can be examined when culling. (2mks)
- b) Other than using the characteristics of a layer, give another method that can be used to cull layer

23. The illustration below shows a life cycle of an internal parasite.



- a) i) Identify the parasite (1mk)
 ii) How is the parasite passed from livestock to man. (1mk)
- b) Give **two** forms in which the parasite is found in livestock. (1mk)
- c) State the methods used to control the parasite at the 5th stage. (2mks)

SECTION C (40 MARKS)

Answer any TWO questions from this section in the spaces provided after question 26.

24. a) Describe life cycle of a two host tick. (6mks)
 b) Describe digestion in a rumen of a ruminant. (8mks)
 c) Describe the factors that stimulate milk leddown in dairy cattle. (6mks)
25. a) Explain any **five** factors considered in siting farm buildings and structures. (10mks)
 b) Describe coccidiosis disease under the following sub-headings.
 i) Animals attacked (2mks)
 ii) Symptoms of attack (5mks)
 iii) Control measures (3mks)
26. a) Describe management of broiler chicks under the following sub-headings.
 i) Parasite and disease control in the brooder. (9mks)
 ii) Feeding management (6mks)
 b) Describe the maintenance of the cooling system of a tractor engine. (5mks)