
**KENYA NATIONAL EXAMINATION COUNCIL
REVISION MOCK EXAMS 2016
TOP NATIONAL SCHOOLS**

**KENYA HIGH SCHOOL
AGRICULTURE
PAPER 2
TIME: 2 HOURS**

SCHOOLS NET KENYA
Osiligi House, Opposite KCB, Ground Floor
Off Magadi Road, Ongata Rongai | Tel: 0711 88 22 27
E-mail: infosnkenya@gmail.com | Website: www.schoolsnetkenya.com

KENYA HIGH SCHOOL KCSE TRIAL AND PRACTICE EXAM 2016

Paper 2

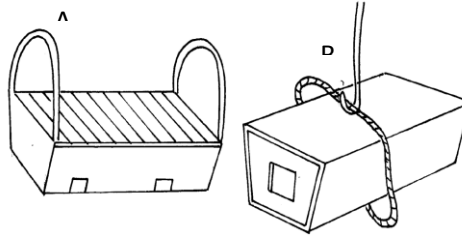
Answer all questions in this section

1. (a) Give **one** reason why each of the following is important in livestock nutrition.
 - (i) Grit (½ mk)
 - (ii) Green vegetables (½ mk)(b) Identify **two** causes of soft shells in eggs? (1 mk)
2. State **four** digestive activities that take place in the pigs small intestines
3. Write down **one** distinguishing characteristic of the following livestock breeds; (2 mks)
 - (a) Jersey
 - (b) Ear lops
 - (c) Barkshire (Wessex)
 - (d) Toggenburg
4. Define the following terms as used in livestock health;
 - (a) Casual organism (1mk)
 - (b) Disease predisposing factor (1 mk)
5. Give **one** reason for carrying out the following practices in sheep
 - (a) Docking (1 mk)
 - (b) Ringing (1 mk)
6. Name **four** post harvesting practices in fish. (2 mks)
7. (a) Name the part of an egg which is fertilized (½ mk)
(b) What is a wheel? (½ mk)
8. (a) State **three** advantages of concrete walls over wooden walls in a farm building. (1 ½ mk)
(b) State **two** reasons for spreading damp proof course of PV C on a farm building (1 mk)
9. State **six** symptoms of milk fever (3 mks)
10. What is the **gestation period** of the following farm animals? (1 mk)
 - (a) Goat
 - (b) Pig
11. Differentiate between
 - (a) Ranching and Pastoralism. (1 mk)
 - (b) Pork – type pigs and Bacon type pigs (1 mk)
12. (a) What is **outbreeding**? (1 mk)
(b) List **two** advantages of outbreeding (2 mks)
13. Give **two** maintenance practices of mowers. (1 mk)
14. State **four** non – chemical methods of controlling ticks in cattle. (2 mks)
15. (a) Name **two** livestock production tools that must be used together
(Complementary livestock tools) (1 mk)
(b) What is the function of Tinman’s snips (½ mk)

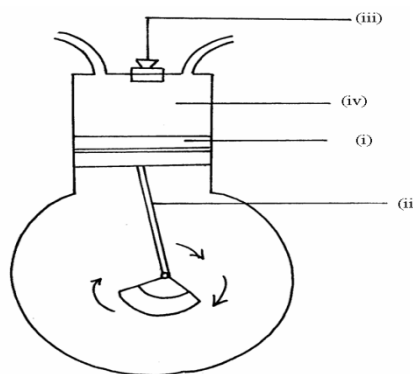
SECTION B : (20 Marks)

Answer all questions in this section in the spaces provided.

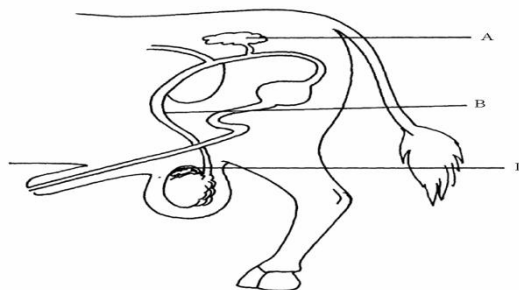
16. The diagram labeled A and B below shows two types of bee hives. Study them carefully and answer the questions that follow:



- (a) Identify the types of beehives A and B (1 mk)
 (b) State **two** advantages of A over B. (1 mk)
 (c) Give two maintenance practices for the named bee hives. (1 mk)
17. The diagram below is a part of a tractor engine. Study it and answer the questions that follow.



- (a) Identify parts (i), (ii), (iii) and (iv) (4mks)
 (b) What is the function of part labeled (i). (1mk)
18. A farmer wishes to prepare 500kg of a dairy ration containing 40% crude protein. He has maize meal containing 30% crude protein and Desmodium cake containing 60% crude proteins.
- (a) Using a Pearson Square calculate how much Desmodium cake he will include in the ration. Show your workings. (4 mks)
19. The diagram below represents the reproductive system of a bull. Study it and answer the questions that follow.



- (a) Identify the parts A, B and D. (3 mks)

- (b) What is the function of part B (1 mk)
(c) How does sperm stay in the part D? (½ mk)

20. The diagram shows a livestock parasite.



- (a) Identify the parasite above. (½ mk)
(b) Which is the infective stage of the parasite? (1 mk)
(c) State **two** control measures of the parasite. (2 mks)

SECTION C (40 Marks)

Answer any TWO questions in this section.

21. (a) **Describe** the procedure followed during honey processing using heat method. (7 mks)
(b) Explain **four** qualities of good silage. (3 mks)
(c) Explain **five** factors that influence power output of an animal. (10 mks)
22. (a) Explain **four** qualities of good beef. (8 mks)
(b) **Describe** parturition in cattle. (12 mks)
23. (a) Explain the **advantages** of live fences. (10 mks)
(b) **Describe** the components of cooling system of a tractor. (10 mks)