
**KENYA NATIONAL EXAMINATION COUNCIL
REVISION MOCK EXAMS 2016
TOP NATIONAL SCHOOLS**

**KAPSABET BOYS HIGH SCHOOL
AGRICULTURE
PAPER 1
TIME: 2 HOURS**

SCHOOLS NET KENYA
Osiligi House, Opposite KCB, Ground Floor
Off Magadi Road, Ongata Rongai | Tel: 0711 88 22 27
E-mail: infosnkenya@gmail.com | Website: www.schoolsnetkenya.com

443/1
AGRICULTURE
PAPER 1
TIME: 2HOURS

**KAPSABET BOYS HIGH SCHOOL KCSE TRIAL AND
PRACTICE EXAM 2016**

INSTRUCTION TO CANDIDATES

- Write your **name** and **index** number and school, Sign and write the date in the spaces provided above.
- This paper consists of **THREE** sections; **A, B** and **C**.
- Answer **All** the questions in section **A** and **B** in the spaces provided and any **TWO** questions from section **C** in the answer sheet provided

FOR EXAMINERS USE ONLY

SECTION	QUESTION	MAXIMUM SCORE	CANDIDATE'S SCORE
A	1 - 17	30	
B	18 - 22	20	
C		20	
		20	
TOTAL SCORE		90	

SECTION A (30 MARKS)

Answer all the question in this section in the spaces provided.

1. Name the routine field practice done by:
 - (a) Removal of extra suckers in banana stool. (½mrk)
 - (b) Removal of old stems down to level of top foliage in pyrethrum. (½mrk)
 - (c) Removal of suckers from coffee bushes. (½mrk)
2. State **three** characteristics of phosphate fertilizers. (1½mks)
3. State **two** physical properties of soil that influence crop production. (1mk)
4. Outline **four** ways by which crop pests are classified. (2mks)
5. State **three** uses of labour records in Agriculture. (1½mks)
6. Give **four** advantages of overhead irrigation in crop production. (2mrks)
7. List **four** books of accounts kept a crop farmer. (2mrks)
8. Give **four** varieties of tomatoes grown for processing. (2mks)
9. State **four** pasture management practices done to enhance yields per unit area. (2mrks)
10. Name **two** macro -nutrients which classified as: (1mrk)
 - (a) Fertilizer elements.
 - (b) Liming elements. (1mrk)
11. Give **three** ways by which pruning helps to control disease in crops. (1½mrks)
12. State **four** ways in which weeds are excellently adapted to the environment. (2mrks)
13. State **four** factors that determine the time at which a crop is planted. (2mks)
14. Give **four** factors that affected the effectiveness of a pesticide. (2mrks)
15. State **four** reasons for staking tomatoes in crop production. (2mrks)
16. State **three** cultural methods of soil and water conservation. (1½mrks)
17. State **three** benefits of having a land title deed to a farmer. (1 ½ mrks)

SECTION B. (20 MARKS)

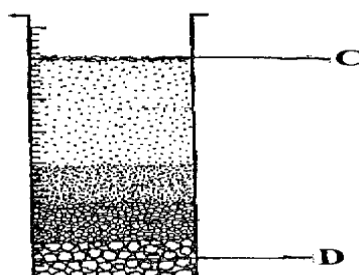
Answer ALL questions in this section in the spaces provided

18. Study the diagram below and answer the questions that follow. The illustrations represent a method of crop propagation.

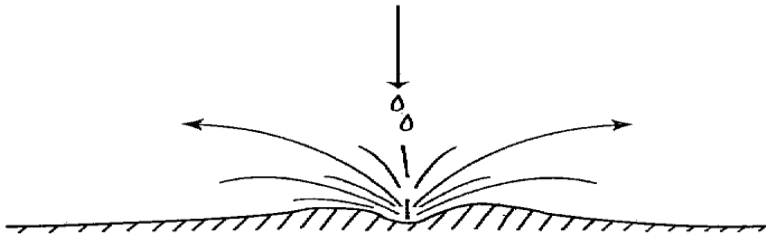


- (a) Name the crops (s) propagated by illustrations: (1mrk)
- (b) Give **three** factors that promote the rooting of illustration A. (3mrks)

19. The diagram below illustrates an experiment using garden soil. Study it carefully and answer the question that follow.



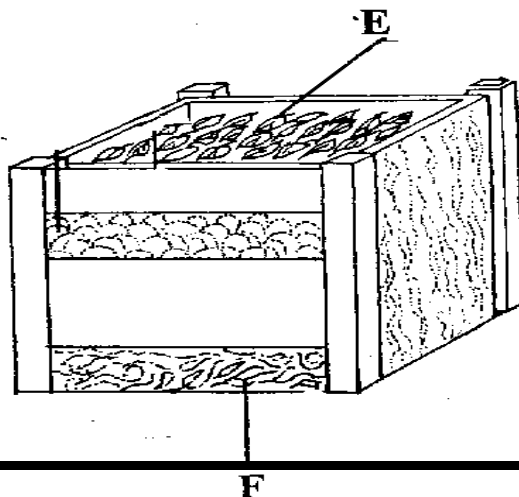
- (a) What was the aim of the experiment? (1mrk)
 (b) Name the parts labeled **C** and **D**. (2mrks)
 (c) Name the property of soil being investigated. (1mrk)
20. The illustration below shows a type of soil erosion. Study it carefully and answer the questions that follow.



- (a) Identify the type of erosion illustrated. (1mrk)
 (b) Give **two** soil factors that influence the rate of soil erosion. (2mrks)
 (c) Name **one** agent of soil erosion. (1mrk)
21. The illustration below represents a financial document . Study it carefully and answer the questions that follow.

No: 2004			Date:	
26/07/2013				
M/S MUHORONI FARMERS STORE				
DR.....ACHEGO FARMERS CO-OP UNION				
BOX 2, AWASI				
	Particular	Quantity	Price per unit	Amount
1.	Layers mash	20 bags	1,200.00	24,000.00
2.	Urea	5bags	3,000.00	15,000.00
3.	Sorghum seeds	10 pkts	300.00	3,000.00
	Delivery details	Total		42,000.00
Discount - None				
Terms of payment: Cash in 30days upon receipt of goods			Official Stamp & signature	

- (a) Identify the document illustrated above. (1mrk)
 (b) State **two** functions of the document. (2mrks)
22. The diagram below represent a method of manure preparation. Study it carefully and answer the questions that follow.



- (a) Identify the type of manure being prepared. (1mrk)
- (b) Name the parts labeled **E** and **F**. (1mrk) .
- (c) Give **two** disadvantages of manures. (2mrks)

SECTION C (40MARKS)

Answer any two questions from this section in the answer sheet provided

- 23. (a) Describe land preparation for planting of grass seeds. (4mrks)
- (b) Describe the role of **six** marketing agencies or institutions in marketing of Agricultural Produce. (12mrks)
- (c) Explain **four** benefits of land consolidation in Agricultural production. (4mrks)
- 24. (a) Describe the field management practices that should be carried out on dry bean production from planting to harvesting. (10mrks)
- (b) Explain **five** factors that should be considered when deciding on the depth of planting a seed. (5mrks)
- (c) Describe the characteristics of a crop suitable for green manure. (5mrks)
- 25. (a) Outline the care and management practices done on Agro –forestry trees (5mrks)
- (b) Describe the benefits of using certified seeds in crop production. (5mrks)
- (c) Describe the safety precautions a farmer should take when using herbicides. (10mrks)